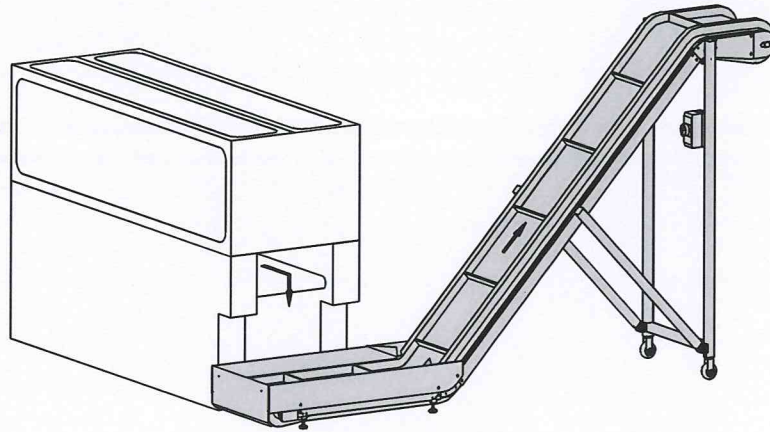


Waste Conveyors

WASTE CONVEYORS FOR THREE-KNIFE TRIMMERS

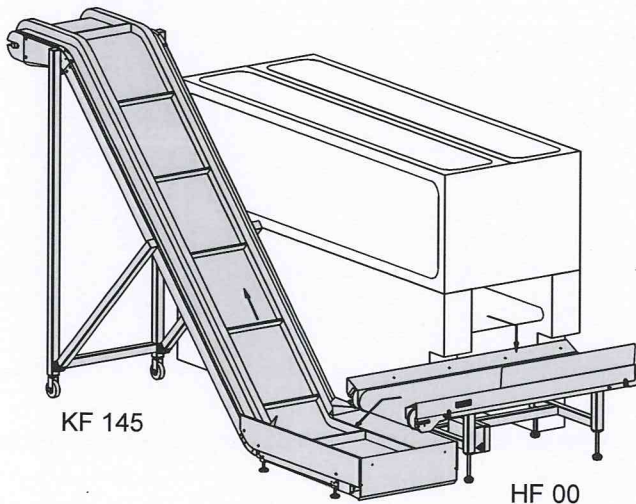


- MODEL SERIES 2020 -



KF 145-80

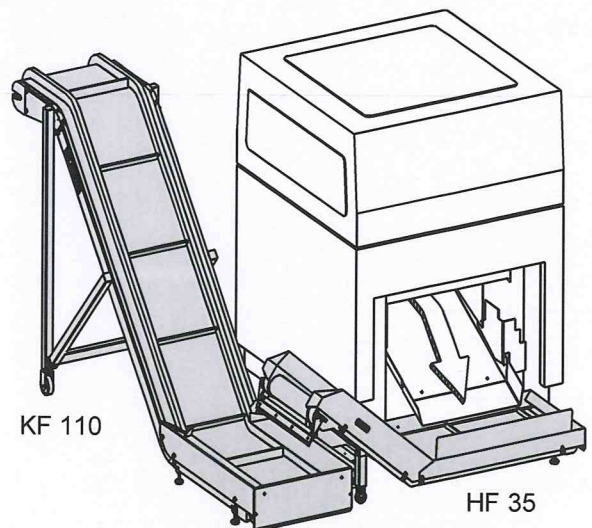
Waste conveyor with lengthened delivery chute of 800 mm



KF 145

HF 00

Combination for three-knife
trimmer with internal conveyor



KF 110

HF 35

Combination for three-knife
trimmer with internal waste chute

WASTE CONVEYORS FOR THREE-KNIFE TRIMMERS

- MODEL SERIES 2020 -



KF for the removal of cut waste conveyed into containers (e.g. on automatic punching machines, saddle stitchers or perfect binders with three-knife trimmer and to other machinery)												
HF for the cross transport of waste discharged under the producing machine (e.g. three-knife trimmer) conveyed on to the KF											HF 35	HF 00
Model	KF 110	KF 110 - 80	KF 145	KF 145 - 80	KF 175	KF 175 - 80	HF 35	HF 00				
Conveying height	1100	1100	1450	1450	1750	1750	350	-				
Loading length	600	800	600	800	600	800	800	800				
Conveying speed	0.4	0.4	0.4	0.4	0.4	0.4	0.4	0.4				
Power requirements (3-ph.)	0.37	0.37	0.37	0.37	0.37	0.37	0.12	0.12				
Power consumption 230 / 400V A	1.56 / 0.9	1.56 / 0.9	1.56 / 0.9	1.56 / 0.9	1.56 / 0.9	1.56 / 0.9	0.67 / 0.39	0.67 / 0.39				
Dimensions												
Length	2485	2685	2835	3035	3135	3335	1540	1280				
Height	1310	1310	1660	1660	1960	1960	526	540				
Width	635	635	635	635	635	635	571	571				
Net weight	88	94	102	108	114	120	45	43				