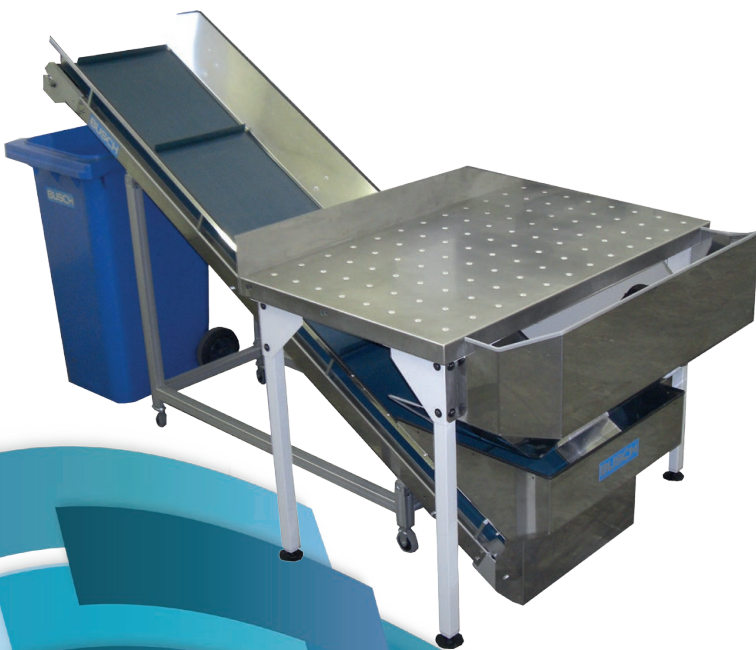


# WASTE CONVEYORS

## model series SF-P / SF-PT

Professional waste disposal  
of cutting waste into containers

- » tailor-made for all well-known guillotines
- » high-quality rustproof steel frame construction with lateral waste guidance
- » rotating conveying belt made of elastic plastic material (PUR) with transport studs
- » essential, cost-saving, quick and clean





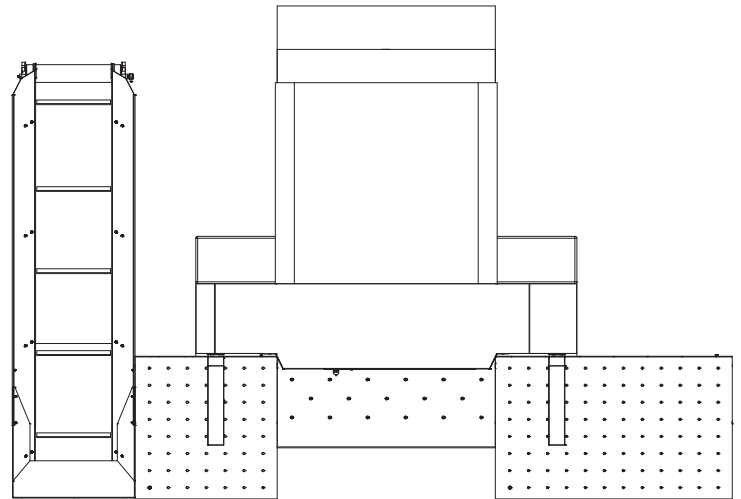
### model series SF-P

- » manual waste disposal into the funnel of waste conveyor SF-P
- » installation on the left or right side of the guillotine
- » conveyor width 50 cm
- » available in conveying heights 145 cm and 175 cm for waste containers with the correspondent maximal height

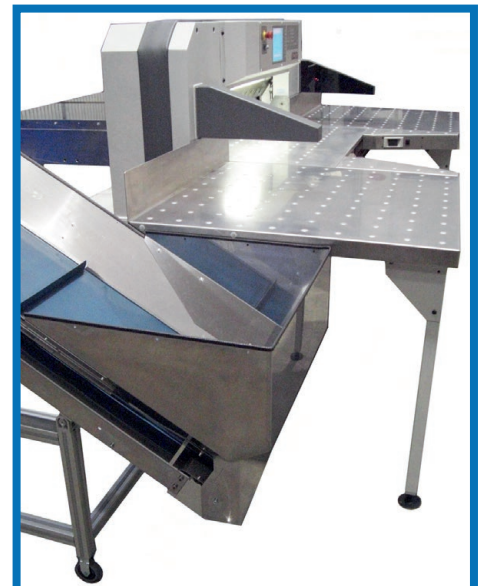


SF 145/50 P

SF 175/50 P



SF 145/50 P connected to a guillotine with a cutting width of 115 cm (top view)

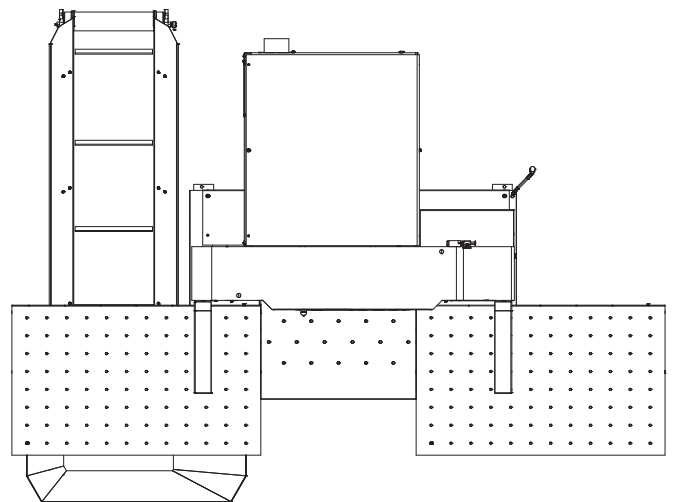


## model series SF-PT

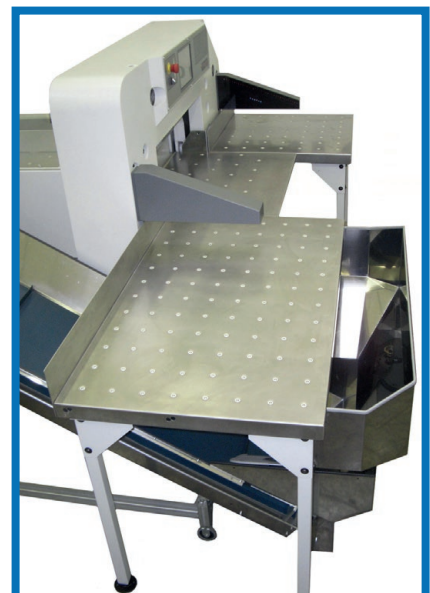
- » manual waste disposal into the funnel at the lateral table above the waste conveyor SF-PT (requires a lateral table width of 125 cm and an integrated funnel)
- » space-saving installation on the left or right side of the guillotine
- » conveyor width 50 cm
- » available in conveying heights 110 cm and 145 cm for waste containers with the correspondent maximal height



SF 110/50 PT



SF 110/50 PT connected to a guillotine with a cutting width of 78 cm (top view)

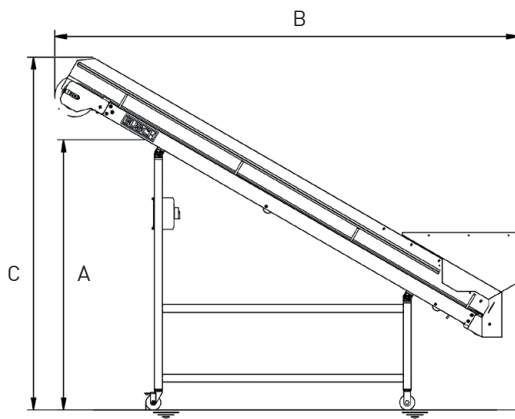




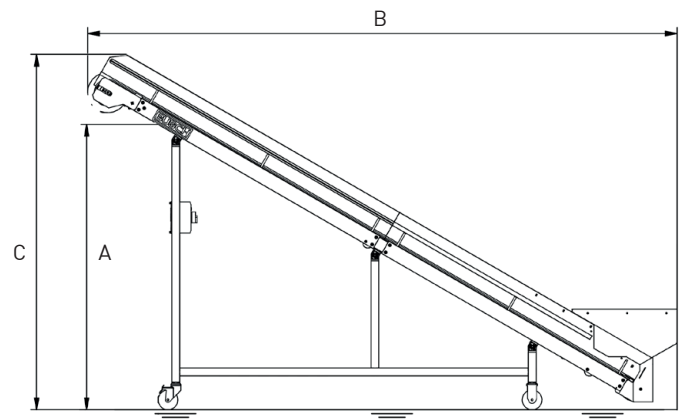
# WASTE CONVEYORS

## model series SF-P and SF-PT

Technical data		SF 145/50 P	SF 175/50 P	SF 110/50 PT	SF 145/50 PT
Conveying height (A)	mm	1450	1750	1100	1450
<b>Conveying speed</b>					
at 50 Hz	m/s	0,40	0,40	0,40	0,40
at 60 Hz	m/s	0,48	0,48	0,48	0,48
Power requirements: 3-phase current	kW	0,25	0,25	0,25	0,25
Power consumption 230 V / 400 V	A	1,0	1,0	1,0	1,0
<b>Measurements and weights</b>					
Length (B)	mm	2360	2995	2365	2995
Height (C)	mm	1765	2140	1440	1800
Width	mm	645	645	645	645
Net weight	kg	88	130	82	127



SF XXX/50 P



SF XXX/50 PT



Gerhard Busch GmbH

Brookdamm 28 | D-21217 Seevetal | Germany  
Tel. +49 (0)40 769159-0 | Fax +49 (0)40 769159-33  
info@buschgraph.de | www.buschgraph.de

**Stanzmaschinen** Die-Cutting Machines  
**Bündelmaschinen** Banding Machines  
**Späneförderbänder** Waste Conveyors  
**Stapelwender** Pile Turners  
**Schneidemaschinen** Guillotines  
**Schneidperipherie** Peripherals for Guillotines